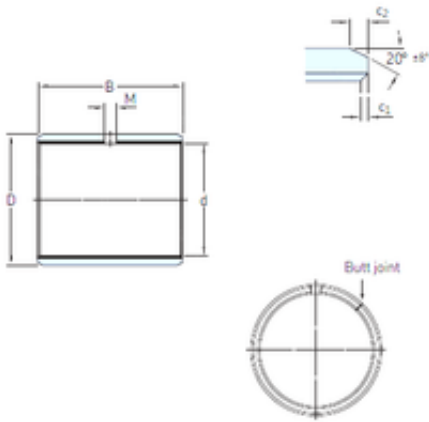




ROMANIA SNR BEARING Machinery MFG.CORP.



20 mm x 23 mm x 30 mm SKF PCM 202330 M plain bearings

Bearing No. PCM 202330 M

PCM 202330 M Bearing 2D drawings and 3D CAD models

Size	20x23x30 mm
Bore Diameter	20 mm
Outer Diameter	23 mm
Width	30 mm
d	20 mm
D	23 mm
B	30 mm
c1 min	0,1 mm
c2 min	0,2 mm
M	3 mm
Weight	0,019 Kg
Basic dynamic load rating (C)	69,5 kN
Category	Plain Bearings
Inventory	0.0
Manufacturer Name	SKF
Minimum Buy Quantity	N/A
UNSPSC	23153417
Weight / Kilogram	0.53
EAN	7316571347363
Product Group	B04264
c ₁ min.	0.1 mm
c ₁ max.	0.7 mm
c ₂ min.	0.2 mm
c ₂ max.	1 mm
± 8	20 °



ROMANIA SNR BEARING Machinery MFG.CORP.

Tolerance shaft	h8
Tolerance housing	H7
Basic dynamic load rating - radial direction C	69.5 kN
Basic static load rating - radial direction C_0	146 kN
Specific dynamic load factor K	120 N/mm ²
Specific static load factor K_0	250 N/mm ²
Factor depending on material and bearing type K_M	1900
Permissible sliding velocity v min.	0 m/s
Permissible sliding velocity v max.	2.5 m/s
Coefficient of friction μ min.	0.02
Coefficient of friction μ max.	0.2
Mass bushing	0.019 kg